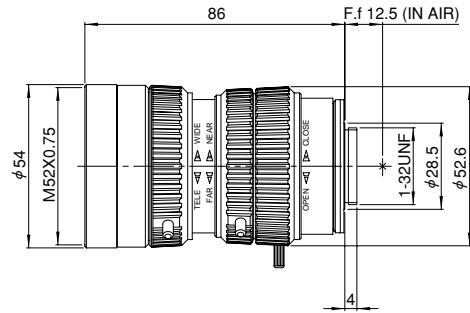


1/3" VARI-FOCAL

Vari-Focal
Manual

FUJINON CCTV LENS

YV10×5A-2



Unit : mm

Model		YV10 × 5A-2	
Focal Length		5mm ~ 50mm (10×)	
Iris Range		F1.8 ~ Close	
Operation	Iris	Manual	
	Focus	Manual	
	Zoom	Manual	
Angle Of View (H × V)	1/3"	Wide	51°17' × 39°36'
		Tele	5°30' × 4°07'
	1/4"	Wide	39°36' × 29°42'
		Tele	4°07' × 3°05'
Focusing Range (From Front Of The Lens)		∞ ~ 0.3m	
Object Dimensions at M.O.D. (H × V)	1/3"	Wide	316mm × 237mm
		Tele	115mm × 86mm
	1/4"	Wide	237mm × 178mm
		Tele	86mm × 65mm
Back Focal Distance (in air)		9.70mm	
Filter Thread		M52 × 0.75mm	
Mount		CS Mount	
Mass		215g	
Exit Pupil Position (From Image Plane)		176mm	