

For Security

1/3" VARI-FOCAL

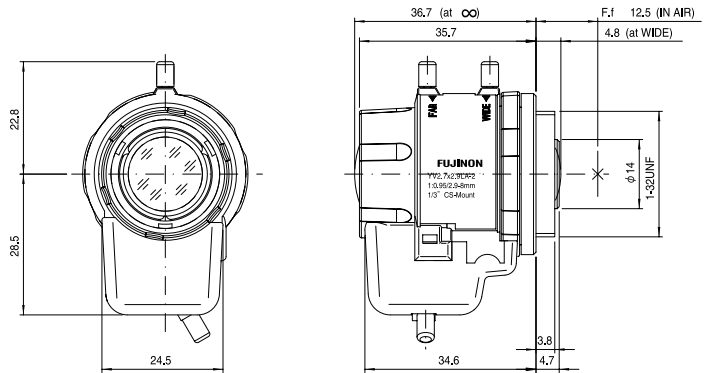
Vari-Focal
Manual

FUJINON CCTV LENS

YV2.7×2.9LA-2



※Photograph is a similar model.



Unit : mm

Model		YV2.7 × 2.9LA-2	
Focal Length		2.9mm ~ 8mm (2.7×)	
Iris Range		F0.95 ~ Close	
Operation	Iris	Manual	
	Focus	Manual	
	Zoom	Manual	
Angle Of View (H × V)	1/3"	Wide	93°34' × 68°46'
		Tele	34°53' × 26°09'
	1/4"	Wide	
		Tele	
Focusing Range (From Front Of The Lens)		∞ ~ 0.3m	
Object Dimensions at M.O.D. (H × V)	1/3"	Wide	650mm × 422mm
		Tele	194mm × 143mm
	1/4"	Wide	
		Tele	
Back Focal Distance (in air)		7.7mm (W) ~ 14.61mm (T)	
Filter Thread		—	
Mount		CS Mount	
Mass		35g	
Exit Pupil Position (From Image Plane)		62mm (W) ~ -32mm (T)	